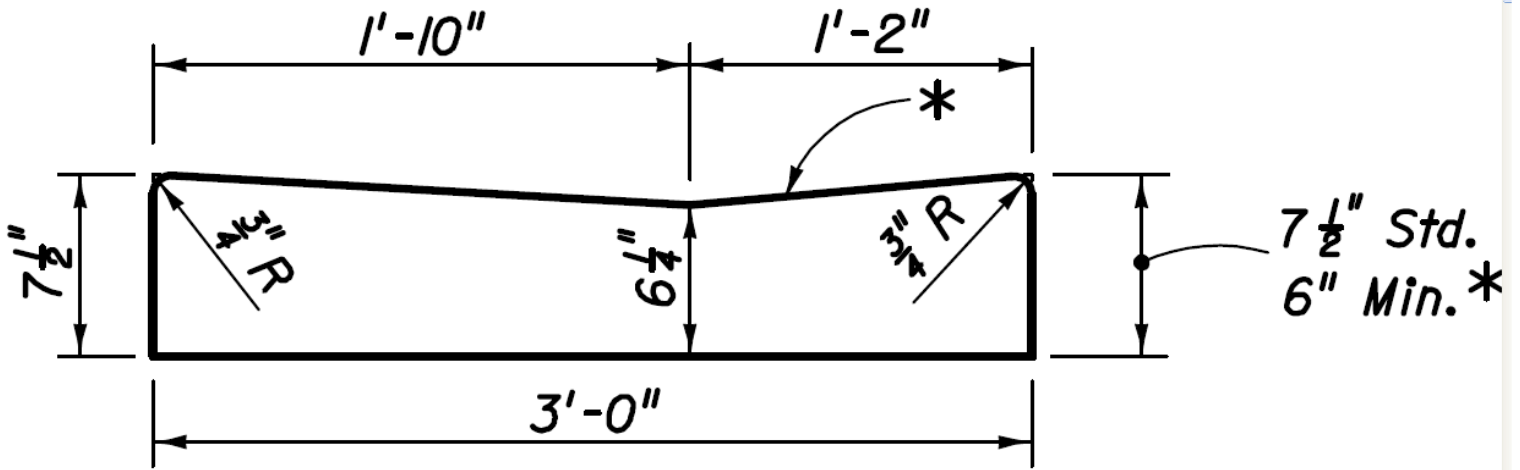


VALLEY GUTTER



SECTION AA